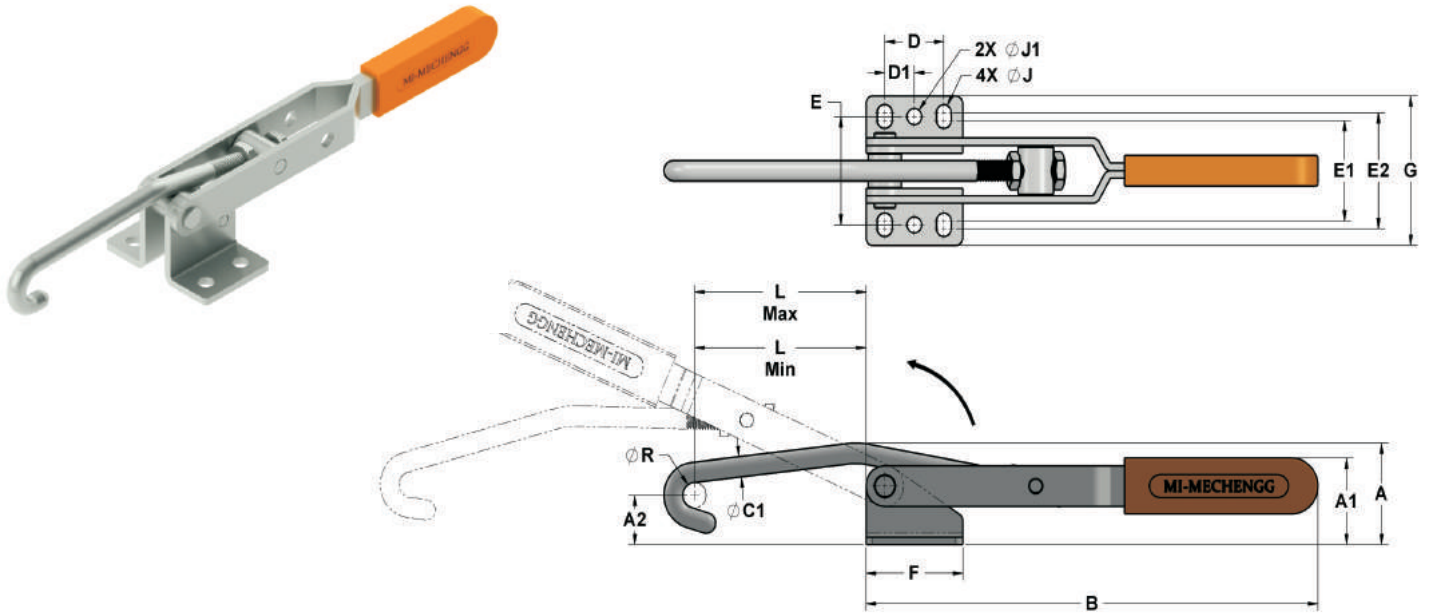


SERIES - MI-HKF

HOOK LATCH SERIES FLANGE BASE - WITHOUT COUNTER HOLD

This clamp is most commonly used for the closing and sealing of lids or covers on both stationary and rotating vessels, drums and pressure containers. The pull bar is threaded for easy adjustment for maximum pull. Silicon rubber grip having large grip surface with oil & heat resistance.



- **Material** : Steel
- **Surface Finish** : Electro Zinc - Plated
- **Hand Grip** : Silicon Rubber

PART NO	HOLDING CAPACITY (N)	APPROX (Kg's)
MI-HKF-75	750	0.180
MI-HKF-200	2000	0.375
MI-HKF-400	4000	0.630
MI-HKF-500	5000	1.250

PART NO	A	A1	A2	B	C1	D	D1	E	E1	E2	F	G	J	J1	Lmax	Lmin	R
MI-HKF-75	28	22.5	15	131	6	16.1	8.05	29.1	27.1	31.1	27	40.4	4.3	4.3	31	24	8
MI-HKF-200	40	34	19.5	192	8	25.1	12.55	42.5	39.5	45.5	41	58.7	6.3	6.3	73	59	10
MI-HKF-400	63.5	50	40.5	205	10	30.1	15.05	48.1	47.1	49.1	50	68	6.3	6.3	105	85	12
MI-HKF-500	69	60.5	46	281	12	29.1	-	60.1	-	-	55	86	10.3	-	102.5	77	16